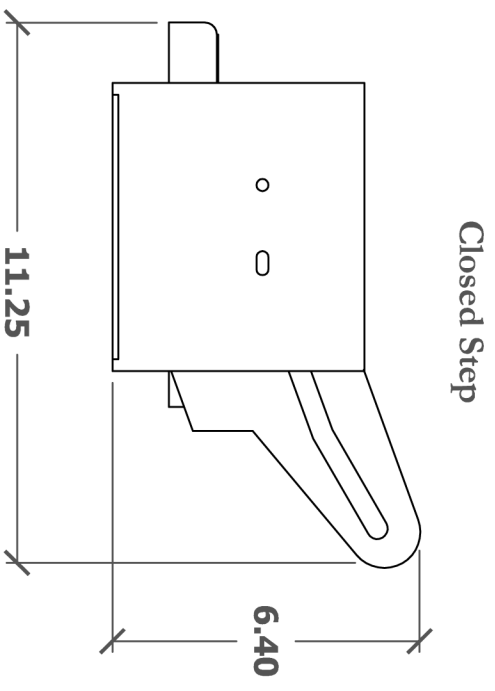


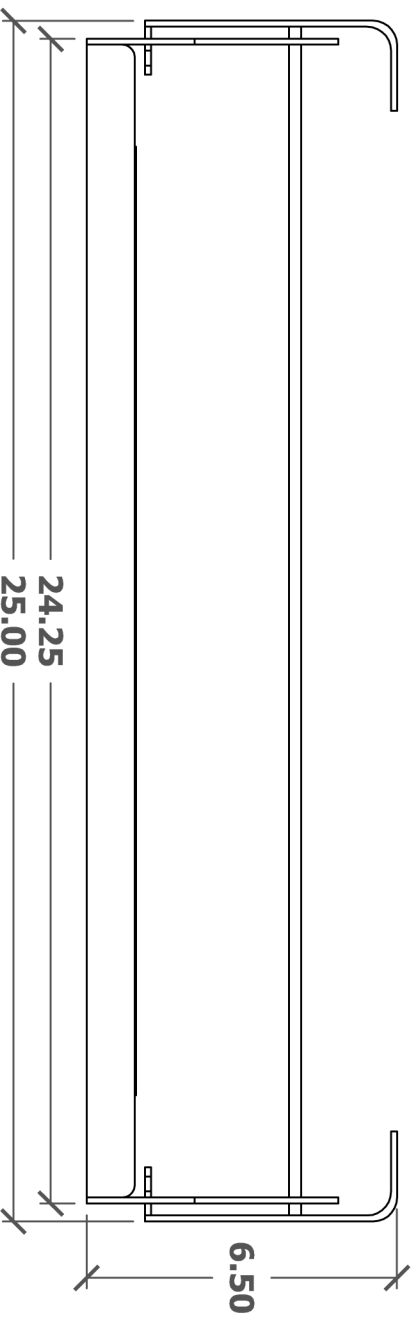
Side View

Scale: 1"=1/4"



Side View

Scale: 1"=1/4"



Front View

Scale: 1"=1/4"

Elkhart Tool & Die

Step No. 124-2

www.ElkhartTool.com