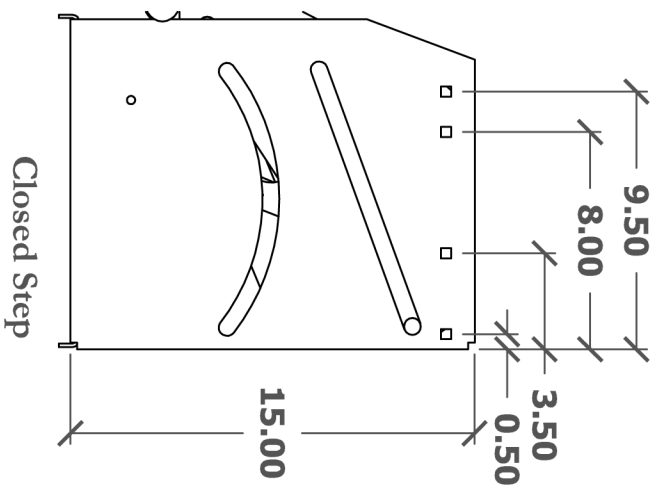


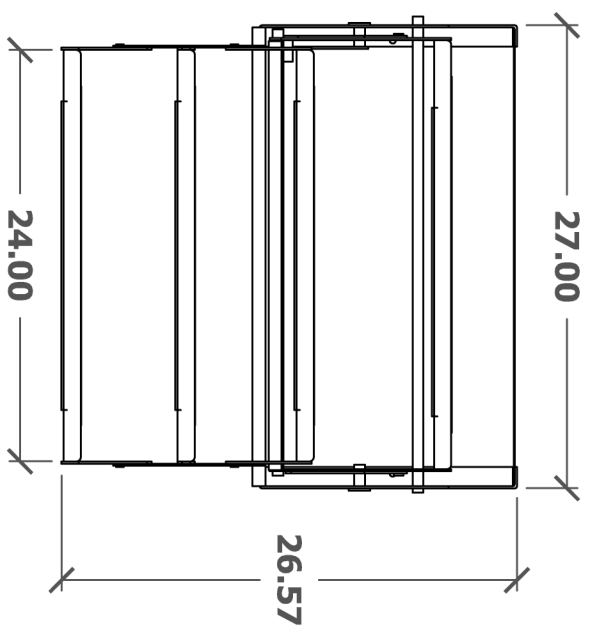
Side View

No Scale



Side View

No Scale



Front View

No Scale

Elkhart Tool & Die



Designed by: K. Beasley

Date: 4/3/06

Step No. 1424

www.kbeasleydesign.com