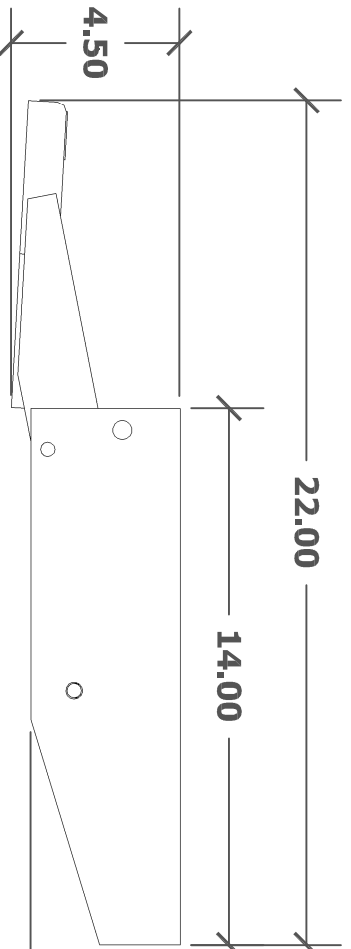
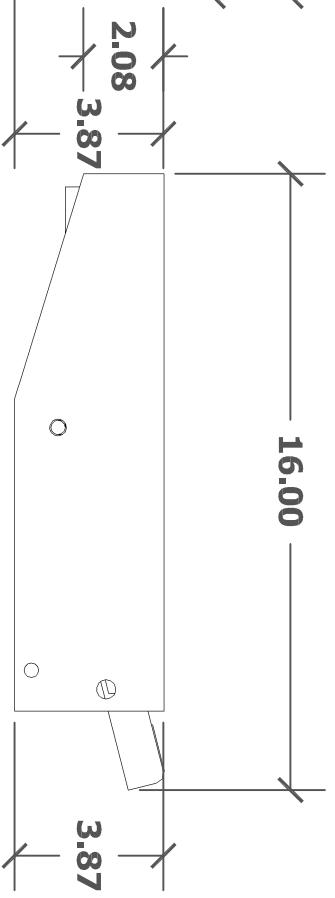


Open Step



Closed Step

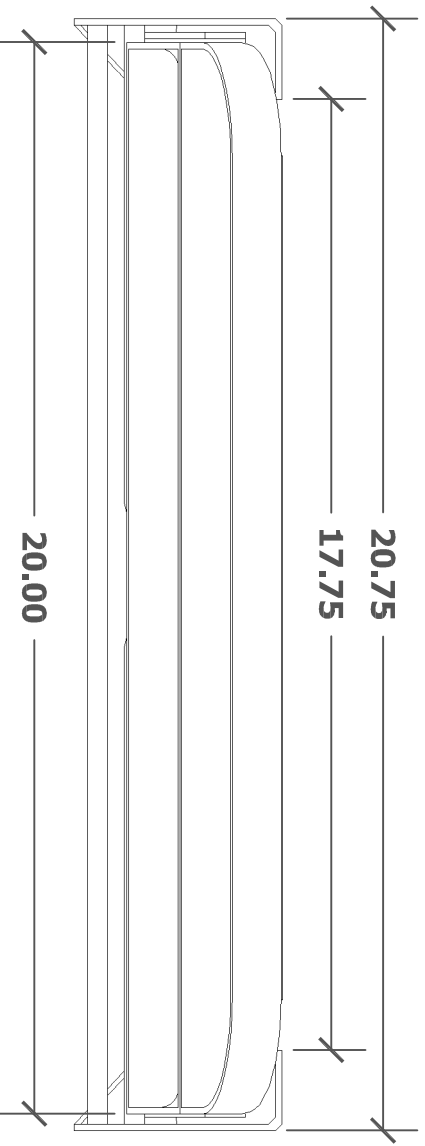


Side View

Scale: 1"=1"

Side View

Scale: 1"=1"



Front View

Scale: 1"=1"

K Design

Designed by: K. Beasley

Date: 3/2/06

Step No. 320

www.kbeasleydesign.com

Elkhart Tool & Die