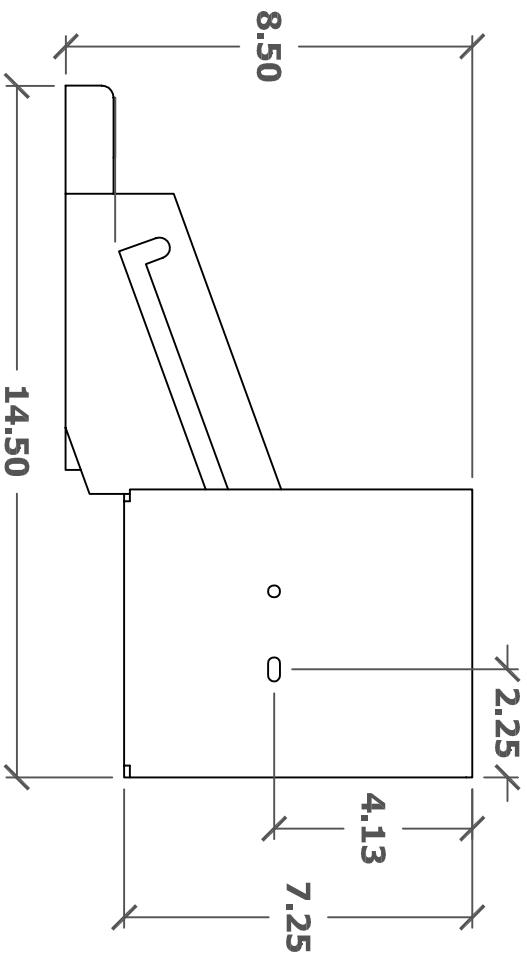


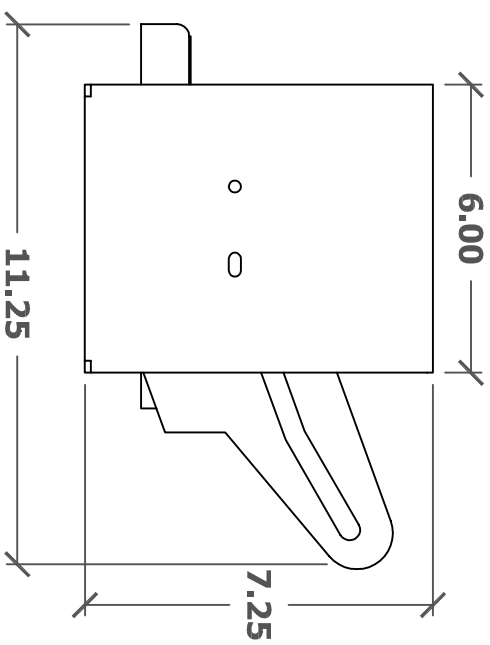
Open Step



Side View

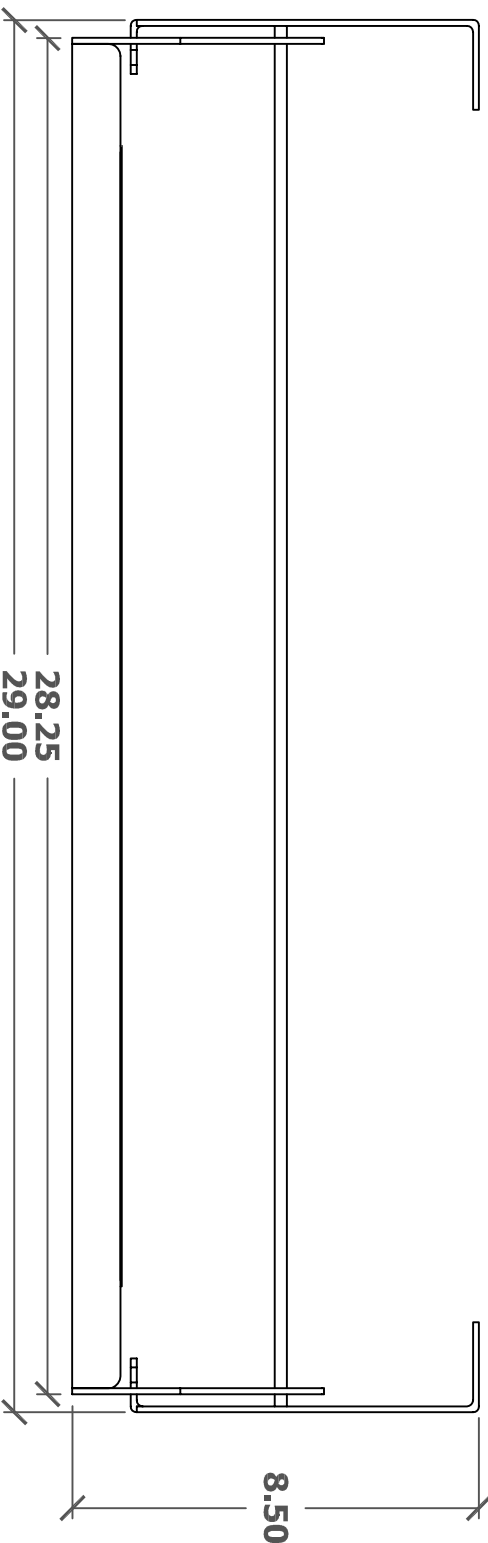
Scale: 1"=1/4"

Closed Step



Side View

Scale: 1"=1/4"



Front View

Scale: 1"=1/4"



Designed by: K. Beasley

Date: 12/6/05

Step No. 728